



height and tilt adjustable headrest

Composition:  
87 / 59 / 74  
Cover:  
24 Q2 Melange mare

with metal feet optionally in stainless steel look or anthracite (powder-coated)

**PLANOPLY** motion 4.0

seat tilt adjustment or heart balance possible

headrest adjustable in height and inclination

1926



S-Lounger 7911



Variant 87 with Wallfree function



Variant 02



height and tilt adjustable  
headrest



Composition:  
85 / 92  
Cover:  
24 Q2 Fashion campari

with metal feet optionally in  
stainless steel look or anthracite  
(powder-coated)

PLANOPOLY motion  
4.0

seat tilt adjustment or  
heart balance possible

headrest adjustable in  
height and inclination

1926



Composition 82 / 81  
in 31 Longlife Soft moor



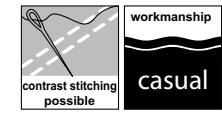
Variant 81  
with Wallfree function

# Model plan 1926

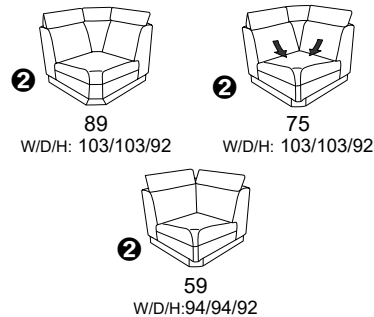
the Wallfree function is available manually or electrically adjustable!

1 only comineable with variants, which are close to the floor  
2 close to the floor

available in two seat heights: 44 cm and 46 cm.  
Indicated dimensions apply to seat height of 44 cm.

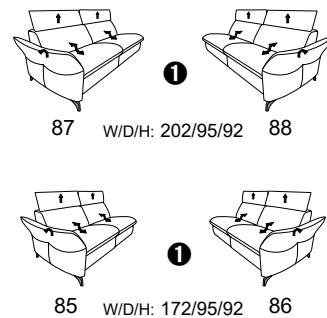


## corner elements

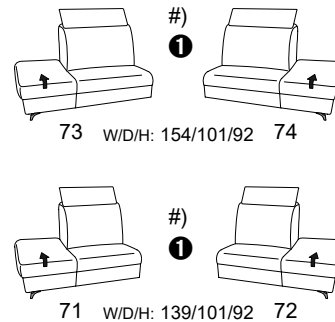


## end elements

### with Wallfree function

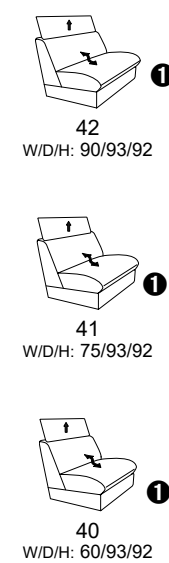


### without Wallfree function

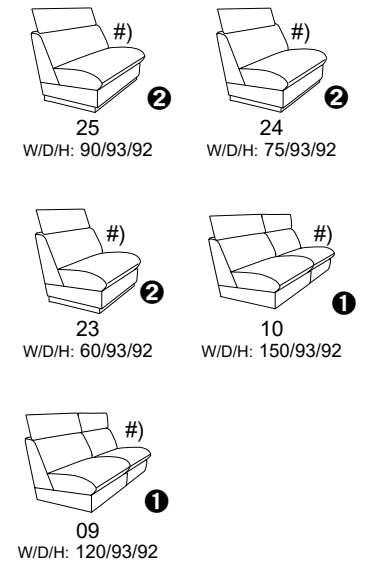


## intermediate elements

### with Wallfree function



### without Wallfree function

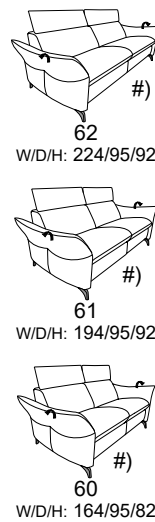


## sofas

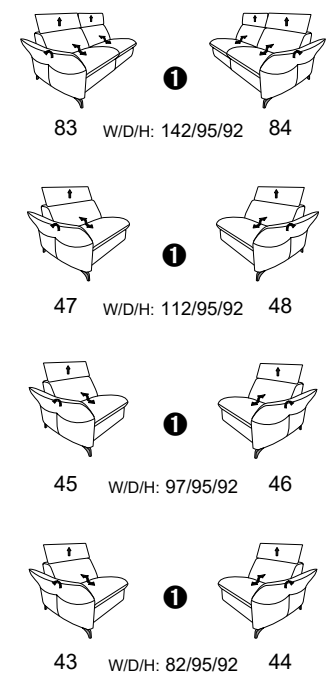
### with Wallfree function



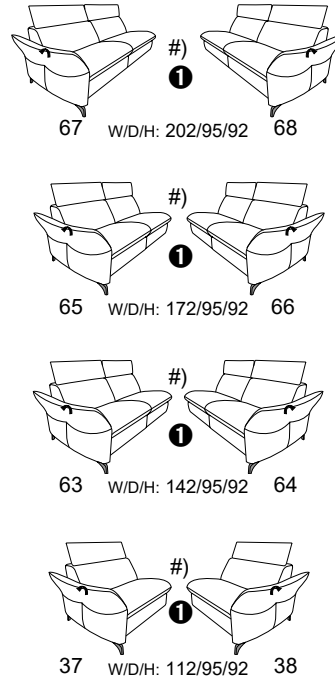
### without Wallfree function



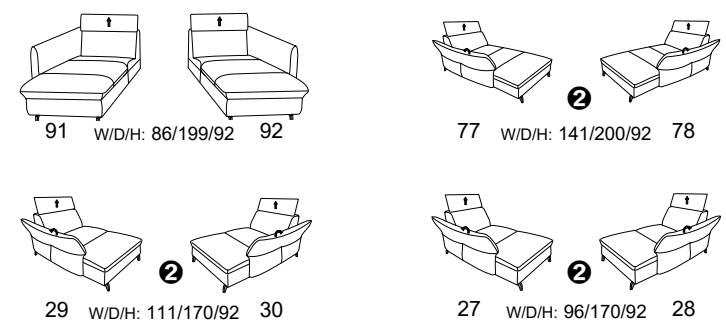
### with Wallfree function



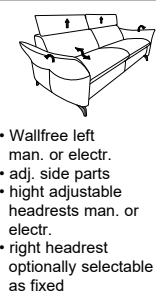
### without Wallfree function



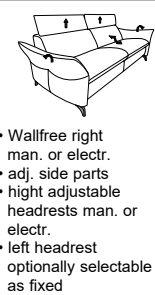
## recamiere



## sofas



57 W/D/H: 224/95/92  
55 W/D/H: 194/95/92  
53 W/D/H: 164/95/92



58 W/D/H: 224/95/92  
56 W/D/H: 194/95/92  
54 W/D/H: 164/95/92

- Wallfree left man. or electr.
- adj. side parts
- high adjustable headrests man. or electr.
- right headrest optionally selectable as fixed

- Wallfree right man. or electr.
- adj. side parts
- high adjustable headrests man. or electr.
- left headrest optionally selectable as fixed

#) optionally with manual headrest adjustment at fixed seat

## footstool / accessoires



- all electrical variants are available with external storage battery
- easy handling through plug-in connection
- a second storage battery can be ordered
- small, user-friendly loading station
- available in the colours silver and anthracite-grey
- matching cover possible

